



Model Name **MX522P Digital Projector**

Unique selling point

- * SmartEco Power Saving technology
- * Up to 10,000 hours Long lamp life
- * <0.5W standby mode
- * Blu-ray Full HD 3D support

Trade Mark



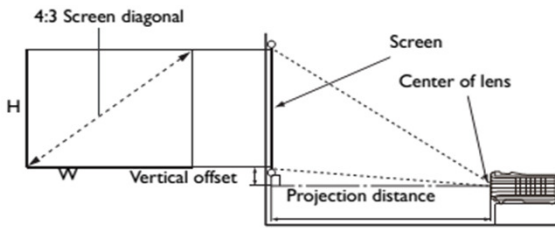
Projection System	DLP	
Native Resolution	XGA (1024 x 768)	
Brightness	3000AL	
Contrast Ratio	13000:1	
Display Color	1.07 Billion Colors	
Lens	F=2.56-2.8, f=21-23.1 mm	
Aspect Ratio	Native 4:3 (5 aspect ratio selectable)	
Throw Ratio	1.86-2.04 (53"@2m)	
Image Size (Diagonal)	36"-300"	
Zoom Ratio	1.1:1	
Lamp Type	190W	
Lamp Mode (Normal/Eco/SmartEco/LampSave)*	4500/6000/6500/10000 hours	
Keystone Adjustment	1D, Vertical +/- 40 degrees	
Projection Offset	120% ±5%	
Resolution Support	VGA(640 x 480) to UXGA(1600 x 1200)	
Horizontal Frequency	15~102KHz	
Vertical Scan Rate	23~120Hz	
Compatibility	HDTV Compatibility	480i, 480p, 576i, 576p, 720p, 1080i, 1080p
	Video Compatibility	NTSC, PAL, SECAM
	3D Compatibility	Frame Sequential: Up to 720p
	(Please refer to User's Manual for detailed support timing.)	Frame Packing: Up to 1080p
		Side by Side: Up to 1080i/p
		Top Bottom: Up to 1080p
Interface	Computer in (D-sub 15pin)	x 2 (Share with component)
	Monitor out (D-sub 15pin)	x 1
	Composite Video in (RCA)	x 1
	S-Video in (Mini DIN 4pin)	x 1
	HDMI	x 1
	Audio in (Mini Jack)	x 1
	Audio out (Mini Jack)	x 1
	Speaker	2W x 1
	USB (Type mini B)	x 1
	RS232 (DB-9pin)	x 1
	IR Receiver	x1 (Front)
Dimensions	Dimensions(W x H x D)	283 x 95 x 222 mm (with feet) 283 x 88.7 x 222 mm (without feet)
	Weight	1.9kg
Power	Power Supply	AC100 to 240 V, 50 to 60 Hz
	Power Consumption	Normal 270W, Eco 220W, Standby<0.5W
Audible Noise	33/28 dBA (Normal/Economic mode)	
On-Screen Display Languages	Arabic/Bulgarian/ Croatian/ Czech/ Danish/ Dutch/ English/ Finnish/ French/ German/ Greek/ Hindi/ Hungarian/ Italian/ Indonesian/ Japanese/ Korean/ Norwegian/ Polish/ Portuguese/ Romanian/ Russian/ Simplified Chinese/Spanish/ Swedish/ Turkish/ Thai/ Traditional Chinese (28 Languages)	
Picture Modes	Dynamic/Presentation/sRGB/Cinema/(3D)/User 1/User 2	
Accessories	Standard	Optional
	Lens Cover	Spare Lamp Kit
	Remote Control w/ Battery	Ceiling Mount
	Power Cord (by region)	3D Glasses
	Downloading UM and Regulatory Statements	Carry bag
	Quick Start Guide	
	Warranty Card (by region)	
	VGA(D-sub 15pin) Cable	

*Lamp life results will vary depending on environmental conditions and usage. Actual product's features and specifications are subject to change without notice.

MX522P Digital Projector

Distance Chart

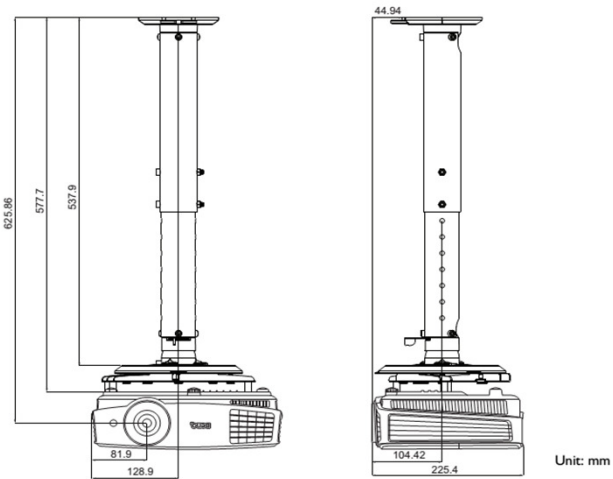
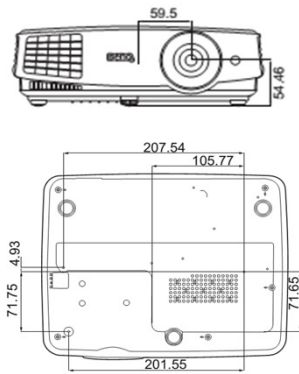
The screen aspect ratio is 4:3 and the projected picture is in a 4:3 aspect ratio



Screen size				Distance from screen (mm)			Vertical offset (mm)
Diagonal		W (mm)	H (mm)	Min length (max. zoom)	Average	Max length (min. zoom)	
Inch	mm						
30	762	610	457	1132	1189	1245	46
40	1016	813	610	1509	1585	1660	61
50	1270	1016	762	1887	1981	2075	76
60	1524	1219	914	2264	2377	2491	91
80	2032	1626	1219	3019	3170	3321	122
100	2540	2032	1524	3774	3962	4151	152
120	3048	2438	1829	4528	4755	4981	183
150	3810	3048	2286	5660	5943	6226	229
200	5080	4064	3048	7547	7925	8302	305
250	6350	5080	3810	9434	9906	10377	381
300	7620	6096	4572	11321	11887	12453	457

Wall mount/Ceiling mount Chart

Ceiling Mount screw: M4
(Max L = 25 mm; Min L = 20 mm)



Dimension

