

Maximum video quality and features for the entire enterprise



Flexible, Full High Definition Video

For the first time, Full HD and superior multipoint conferencing is available at the midrange for 1/3 the price of others in its class. Introducing LifeSize® Team 220™ -- the next step in workgroup video communications.

With LifeSize Team 220, you get Full HD video quality (1080p30/720p60) for natural, realistic interactions. You get unparalleled ease of use and flexibility for workgroups with dual high definition display and camera support, digital input and output connections, an embedded 4-way, Full HD multipoint control unit (MCU) and dual microphones.

Outside-the-box working experience.

Beyond technologies, over and above service and support, there's the proven enrichment in workgroup efficiency that LifeSize Team 220 offers. LifeSize designs video communications solutions with absolute user simplicity in mind. This is the face-to-face communications experience to rely on when you need to make decisions quickly and confidently.

And just like all of the products in the LifeSize 220 series, LifeSize Team 220 delivers:

- The highest available resolution on the market - 1080p30
- The best motion handling with half the latency with 720p60
- Full-motion video and content with 720p30 dual streaming

LifeSize Team 220 proves once again that the LifeSize difference is the LifeSize experience: Superior video communications across cities, across countries, across continents.

LifeSize Team 220 Key Features

Video Quality

Full High Definition Standards-based
1920x1080 - 30fps
1280x720 - 60fps

HD Monitors



HD Cameras Pan-Tilt-Zoom (PTZ)



HD Audio



External Audio & Video Input/Output

Audio: 7 in, 4 out
Video: 3 in, 2 out

Point-to-Point HD Video Communications



Embedded Continuous Presence (CP) HD Multipoint



Product Specifications - LifeSize® Team 220™

System Components

LifeSize codec with stand
High Definition PTZ LifeSize Camera 200
LifeSize Phone or LifeSize MicPod
Wireless remote control
Power Supply
Cables

System Configurations

LifeSize codec, LifeSize Camera 200, Dual LifeSize MicPod
LifeSize codec, LifeSize Camera 200, LifeSize Phone

Communications

H.323, SIP
128Kbps - 6.0Mbps (point-point)
128Kbps - 2.0Mbps (multipoint, per call)
1xRJ-45 Network LAN (10/100 Mbps)
1xRJ-45 for LifeSize Phone (PoE supported)
1xRJ-45 for LifeSize Networker (PoE supported)
1xRJ-11 for analog telephone line
1x3.5mm Mic In for LifeSize MicPod

Support for Multiple HD displays

Any high definition display supporting HDMI or DVI-I input
For additional information on displays, visit:
www.lifesize.com/support

High Definition 1080P30/720p60 PTZ Camera

Wide-angle zoom lens with 70 degree field of view
4x Optical zoom / 4x Digital zoom
Auto focus / Automatic gain control
10 camera presets (near or far end)
Standard 3.0 M HDMI cable

Video Specifications/Video Resolutions

Maximum resolutions widescreen 16:9 aspect ratio
All resolutions progressive scanning
All resolutions at 30 frames per second except 60 frames per second where noted
128Kbps (400x244pixels) Widescreen FCIF
384Kbps (912x512pixels) Cable TV
512Kbps (1024x576pixels) DVD Resolution
768Kbps(1280x720pixels) High Definition
1.1Mbps or higher (1280x720pixels @ p60) High Definition
1.7Mbps or higher (1920x1080pixels) High Definition

Video Standards

H.261, H.263, H.263+, H.264 and H.239 compliant
Support for multiple dual live streaming modes:
1080p30 and 720p5
720p60 and 720p5
720p30 and 720p30

Video Formats

High Definition, 16:9 aspect ratio

Video Inputs (3 Inputs)

1 x High Definition Camera (720p30)
1 x HD Video In (1080p30/720p60)
1 x DVI-I In (HDMI/VGA enabled)

Video Outputs (2 Outputs)

1 x HD Video Out (1080p30/720p60)
1 x DVI-I Video Out (1080p30/720p60)

Fully Integrated, HD Audio Conference Phone

100Hz up to 16kHz
Powered by codec directly through cable

High Definition Active Dual Microphones

Dual omni-directional microphones
LifeSize MicPod Splitter
100Hz up to 16 kHz
Mute button
Powered by codec directly through cable
Includes LifeSize MicPod Extension cable (15M/50ft.)

Audio Features

High Definition audio
GIPS NetEQ packet loss concealment
Full duplex for natural conversations
Echo cancellation for echo-free calls
Automatic gain control
Automatic noise reduction
MicPod or Dual MicPod support (optional)

Audio Standards

G.711, G.722, G.722.1 (Polycom® Siren14™), G.728, G.729, MPEG-4 -AAC-LC

Audio Inputs (7 Inputs)

1 x RJ-45 (LifeSize Phone)
2 x Stereo Line In (3.5mm)
1 x Mic In - Two channel (3.5mm)
1 x HD Video In
1 x DVI-In
1 x HD Camera In (Focus)

Audio Outputs (4 Outputs)

1 x RJ-45 (LifeSize Phone)
1 x Stereo Line Output (3.5mm)
1 x HD Video Out
1 x DVI-I Out

Other Supported Standards

H.221, H.224, H.225, H.231, H.241, H.242, H.245, H.281, BONDING (ISO13871) via Networker, RFC 3261, RFC 3264, RFC 2190, RFC 3407, RFC 2833

User Interface & Features

Context sensitive user interface
Graphical User Interface Call Manager
Multiple languages supported
Do Not Disturb mode

Security

Admin and User level password
SNMP security alerts
Ability to disable HTTP, SSH and Telnet services
H.235 encryption support including strict compliance
TLS/SRTP support
IEEE 802.1x support
Kensington Security Slot

Intelligent Network Features

Adaptive Motion Control (AMC)
NAT/Firewall Traversal (H.460/SIP)
IPv4 and IPv6 support
Auto bandwidth detection
ISDN support via LifeSize Networker

Directory and Address Book

Up to 1000 local directory entries
Save, Lock, Remove Redial List features
Missed call notification
Auto-Discovery directory lookup (patent pending)
LDAP support / H.350 compliant
Meetings Directory support

Embedded HD Multipoint Control Unit

Full HD CP MCU with up to 4 participants
Up to 4-way 720p60/720p30/1080p30 CP mode
Transcoding support
Virtual Multiway allows participant viewing control (patent pending)
H.239 multipoint support shared from any participant
Disable multipoint option

System Management

Out of box setup via web interface and management tool
SNMP
Backup and Restore capability
JPEG snapshots through web interface

Power

AC Voltage 100-240V, 50-60 Hz, 2.5A via external power supply

Environmental Data

Operating temperature: 0 C (32 F) to 40 C (104 F)
Operating Humidity: 15% to 85%, non-condensing
Storage temperature: -20 C (-4 F) to 60 C (140 F)
Storage humidity: 10% to 90%, non-condensing

Codec Dimensions

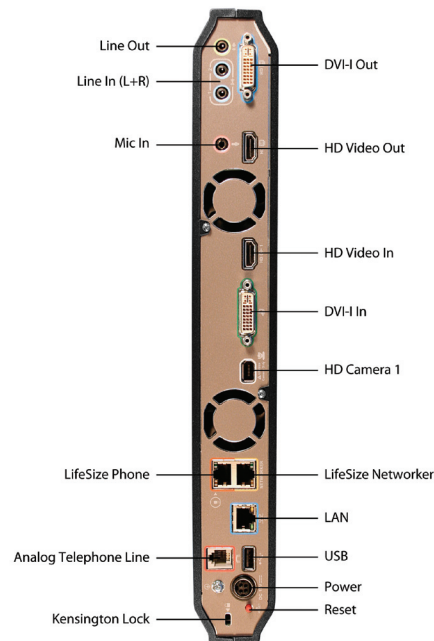
Width: 373.9mm (14.72")
Depth: 225mm (8.86")
Height: 48.3mm (1.9")
Weight: 2.17 Kg (4.78 lbs)

Regulatory Model Number

LifeSize Team 220 = LFZ-015

For additional information: www.lifesize.com/support

Information contained in this document is subject to change without notice. LifeSize® is the registered trademark or trademark of LifeSize Communications Inc. All other trademarks are the property of their respective owners. For patents covering LifeSize® products refer to <http://www.lifesize.com/support/legal>. © Copyright 2009. All rights reserved. October 2009.



Corporate Headquarters:
901 S. Mopac Expressway
Building 3, Suite 300
Austin, Texas 78746 USA

Phone: +1 512 347 9300
Fax: +1 512 347 9301
Email: info@lifesize.com
www.lifesize.com

EMEA:
LifeSize Communications
Toll-Free Europe
008000 999 09 799

APAC:
LifeSize Communications
Hong Kong
Phone: +852 8239 3695